

Grindmaster® 495 Series

Gourmet Coffee Grinders

Grindmaster's Model 495 Gourmet Coffee Grinder is truly an American tradition. These units have been used commercially for years in such establishments as specialty shops, gourmet and grocery stores, country stores and gift shops.

This sturdy, all metal grinder is virtually indestructible, and provides dependable proven performance year after year – with very little maintenance required.

Choose a traditional, old-fashioned look or a fresh, contemporary look.



Model 495-OF



Model 495-MB



Model 495-R

Grindmaster 495 Series

Gourmet Coffee Grinders

Model 495 Coffee Grinders Feature:

- Heavy-duty 1/2 HP motor with circuit breaker.
- Grind selection range from espresso to percolator
- Easy bag loading and on/off switch are simple to understand
- Proven reliable
- Exclusive feed worm construction promotes timely grinding action
- Exclusive Grindmaster burrs - the most precise, consistent, accurate and long-lasting in the industry
- Exclusive Grindmaster 3/1 Warranty
- Trouble-shooting guides with toll-free service number affixed to back of each grinder

Best Warranty Program In The Industry

- Burrs - 3 year warranty on grind consistency and against chipping or breaking
- All other components - 1 year parts and labor

Exclusive Burrs Assure Accurate Grind

- Grindmaster uses burrs made of Ni-Hard, an abrasion-resistant nickel chrome alloy. The burrs are precision ground and lapped in pairs to provide the most uniform grind tested by RoTap according to NCA standards for the best grind profile available.

Choice of Graphics

Model 495-OF:

- Traditional old fashioned model with the nostalgia of yesterday and the best of today's technology. (**black** in color)

Model 495-MB:

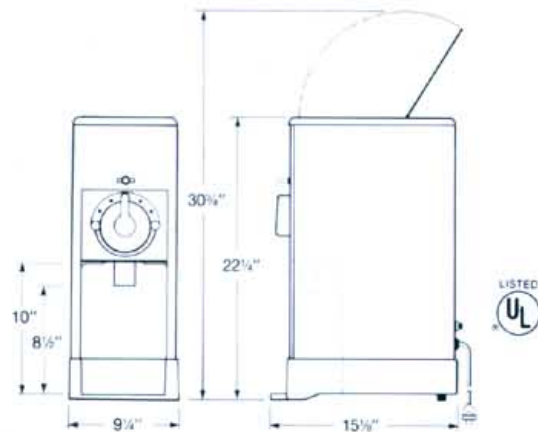
- The proven dependable Model 495 with a fresh contemporary look. (**black** in color)

Model 495-R:

- The proven dependable Model 495 with a fresh contemporary look. (**red** in color)

Custom Graphics:

- Custom Graphics are available on quantity orders



Specifications

Model	495
Voltage	115 Volts AC/60HZ
Amps	8 Amps
Motor	Heavy-duty 1/2 HP, resilient mount (373 w)
Hopper Capacity	2 pounds (907.2 gm) whole bean coffee
Bag Height	Minimum 8 3/4" (22.23 cm); Maximum 9 3/4" (24.77 cm)
Grind Types	Espresso, Fine, Auto-Drip, Drip, Percolator
Grind Time	1 pound/ 30 seconds on Auto-Drip (453.6 gm/ 30 sec. on Auto-Drip)
Weight	47 pounds (21.3 kg)
Dimensions	9 1/4"W x 15 1/8"D x 22 1/4"H (23.50 cm x 38.42 cm x 56.52 cm) (30 3/4" H with lid open)
Ship Weight	52 pounds (23.6 kg)
Ship Dimensions	12"W x 18 1/4"D x 25 1/2"H (30.48 cm x 46.36 cm x 64.77 cm)

All specifications are subject to improvement or change without notice.

**ASK ABOUT THE GRINDMASTER LINE OF COFFEE GRINDERS, COFFEE BREWERS,
COFFEE GRINDER BREWERS, ESPRESSO GRINDERS, ESPRESSO BREWERS, AND BEVERAGE DISPENSERS**

Grindmaster[®]

Corporation

Coffee Grinders and Brewers

Espresso Machines

Crathco[®] Beverage Dispensers

© Grindmaster Corporation, 1990
Printed in USA

P.O. Box 35020
Louisville, KY 40232

(502) 499-0770
FAX (502) 499-0245

0594 Form #GR-240-02